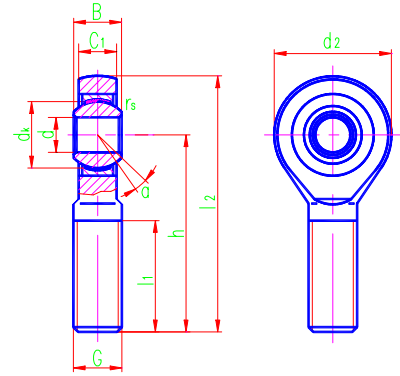




Rod ends



PTFE



Sliding contact surfaces Steel PTFE composite material

Bearing number	Dimensions mm											Load ratings kN		Weight ≈kg
	d	B	d _k	C ₁ max	d ₂ max	G 6g	h	l ₁ min	l ₂ max	r _s min	α° ≈	Dynamic	Static	
SAJK5C	5	8	11.112	7.5	18	M5	33	19	42	0.3	4	3.6	3.9	0.013
SAJK6C	6	9	12.7	7.5	20	M6	36	21	46	0.3	9	4.7	5.2	0.015
SAJK8C	8	12	15.88	9.5	24	M8	42	25	54	0.3	12	7.6	8.2	0.034
SAJK10C	10	14	19.05	11.5	30	M10	48	28	63	0.6	10	12	15	0.071
SAJK12C	12	16	22.23	12.5	34	M12	54	32	71	0.6	12	14	19	0.11
SAJK14C	14	19	25.4	14.5	38	M14	60	36	79	0.6	14	19	24	0.13
SAJK16C	16	21	28.58	15.5	42	M16	66	37	87	0.6	14	23	29	0.22
SAJK18C	18	23	31.75	17.5	46	M18×1.5	72	41	95	0.6	13	29	34	0.29
SAJK20C	20	25	34.93	18.5	50	M20×1.5	78	45	103	0.6	14	34	40	0.36
SAJK22C	22	28	38.1	21	56	M22×1.5	84	48	112	0.6	14	42	50	0.49
SAJK25C	25	31	42.86	23	60	M24×2	94	55	124	0.6	14	52	57	0.65
SAJK28C	28	35	47.63	26	66	M27×2	103	62	136	0.6	14	66	69	0.87
SAJK30C	30	37	50.8	27	70	M30×2	110	66	145	0.6	15	73	77	1.1

“L” “SALJK20C M20×1.5-6g

For left-hand thread, suffix “L” is added to bearings number and thread signe.g. SALJK20C M20×1.5L-6g