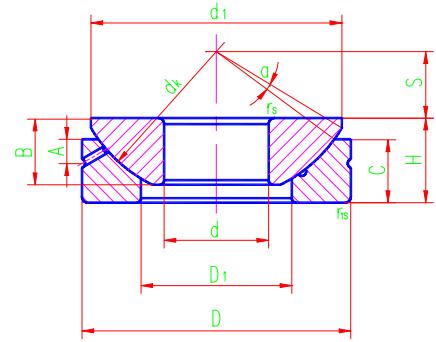




# Thrust Spherical Plain Bearings



Sliding contact surfaces: Steel / Steel

Bearing number	Dimensions mm												Load ratings kN		Weight ≈kg
	d	D	B	C	H	dk	S	d <sub>1</sub> max	D <sub>1</sub> min	A	r <sub>s</sub> , r <sub>1s</sub> min	α° ≈	Dynamic	Static	
GX10S	10	30	7.5	7	9.5	32	7	27.5	15.5	3	0.6	9	27	136	0.036
GX12S	12	35	9.5	9.3	13	38	8	32	18	4	0.6	8	37	188	0.072
GX15S	15	42	11	10.8	15	46	10	39	22.5	5	0.6	8	53	267	0.108
GX17S	17	47	11.8	11.2	16	52	11	43.5	27	5	0.6	10	61	311	0.137
GX20S	20	55	14.5	13.8	20	60	12.5	50	31	6	1	9	84	425	0.246
GX25S	25	62	16.5	16.7	22.5	68	14	58.5	34.5	6	1	7	134	672	0.415
GX30S	30	75	19	19	26	82	17.5	70	42	8	1	7	182	909	0.614
GX35S	35	90	22	20.7	28	98	22	84	50.5	8	1	8	266	1330	0.973
GX40S	40	105	27	21.5	32	114	24.5	97	59	9	1	9	357	1810	1.59
GX45S	45	120	31	25.5	36.5	128	27.5	110	67	11	1	9	486	2470	2.24
GX50S	50	130	33	30.5	42.5	139	30	120	70	10	1	7	554	2810	3.14
GX60S	60	150	37	34	45	160	35	140	84	12.5	1	8	748	3820	4.63
GX70S	70	160	42	36.5	50	176	35	153	94.5	13.5	1	8	902	4610	5.37
GX80S	80	180	43.5	38	50	197	42.5	172	107.5	14.5	1	8	1110	5700	6.91
GX100S	100	210	51	46	59	222	45	198	127	15	1.1	8	1300	6470	10.9
GX120S	120	230	53.5	50	64	250	52.5	220	145	16.5	1.1	6	1530	7580	13.9
GX140S	140	260	61	54	72	274	52.5	243	177	23	1.5	6	1820	9040	18.1
GX160S	160	290	66	58	77	313	65	271	200	23	1.5	7	2100	10440	23.2
GX180S	180	320	74	62	86	340	67.5	299	225	26	1.5	8	2430	12070	30.9
GX200S	200	340	80	66	87	365	70	320	247	27	1.5	8	3070	15280	34.2