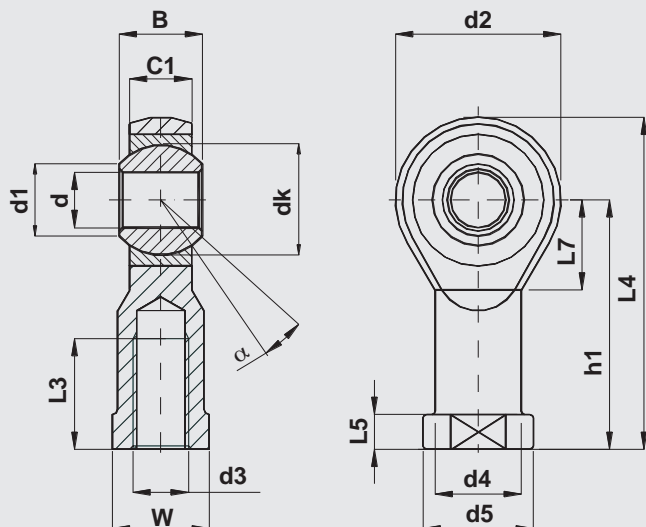


DIN ISO 12240 - 4 Serie K Filetto ISO 8139 (CETOP) female thread

Coupling: AISI 420 / bronze self-lubricating

CFX



STAINLESS STEEL

Body:
stainless steel AISI 304
Outer race:
sintered bronze, self-lubricating impregnated with oil
Ball:
stainless steel AISI 420

Designation	Cylinder	d	d3	B	C1	d1	d2	d4	d5	dk	h1	L3	L4	L5	L7	W	max radial load Co. (daN)	α° angle ≈	weight ≈ (kg)
CFX6 M 6	12-16	6	M6	9	6,75	8,9	20	10,00	13	12,70	30	12	40	5,0	11	11	700	13	0,025
CFX8 M 8	20	8	M8	12	9,00	10,4	24	12,50	16	15,87	36	16	48	5,0	13	14	1200	14	0,025
CFX10 M 10x1,25	25-32	10	M10x1,25	14	10,50	12,9	28	15,00	19	19,05	43	20	57	6,5	15	17	1400	13	0,075
CFX12 M 12x1,25	40-50	12	M12x1,25	16	12,00	15,4	32	17,5	22	22,22	50	22	66	6,5	17	19	1900	13	0,112
CFX16 M 16x1,5	50-63	16	M16x1,5	21	15,00	19,3	42	22,00	27	28,57	64	28	85	8,0	23	22	4800	15	0,222
CFX20 M 20x1,5	80-100	20	M20x1,5	25	18,00	24,3	50	27,50	34	34,92	77	33	102	10,0	27	30	5200	14	0,406

For left-hand thread add L (example CFXL16 M16X1,5)
Technical reading from page 1 to page 7